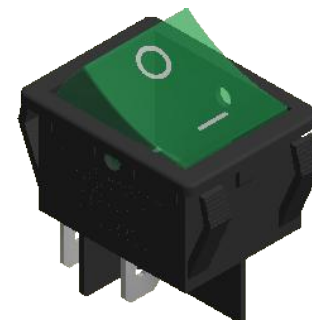
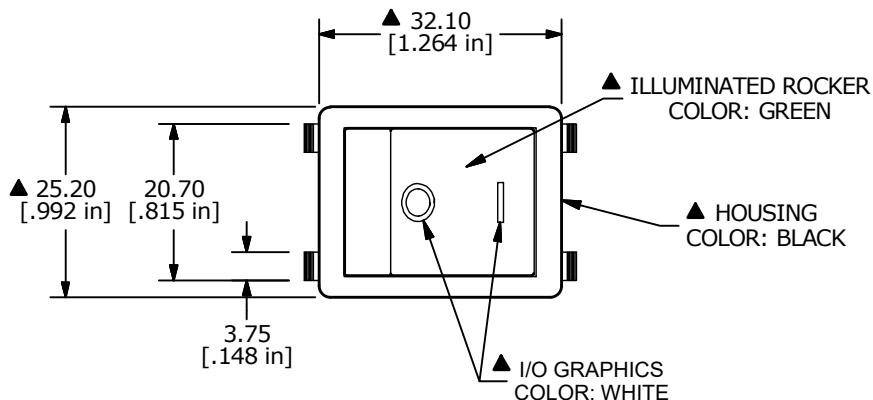
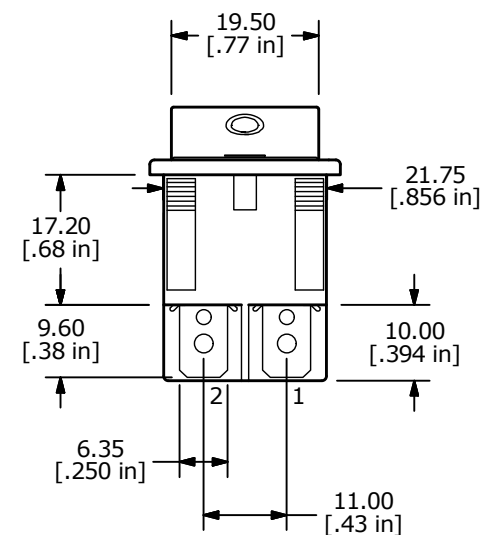
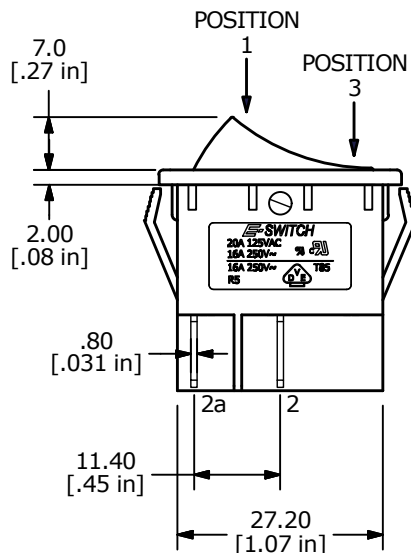
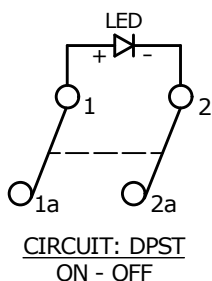


RECOMMENDED PANEL MOUNTING

PANEL THICKNESS	X
0.75-1.25mm	30.0-30.2mm
1.25-2.00mm	30.2-30.4mm
2.00-3.00mm	30.6-30.8mm



SWITCH FUNCTION		
POS. 1	POS. 2	POS. 3
OFF	NONE	ON
OPEN	N/A	1-1a,2-2a



NOTES:

- ALL DIMENSIONS IN MM [INCH]
- GENERAL TOLERANCE: X.X = ±0.4
X.XX = ±0.25
- TERM. NUMBERS FOR REF. ONLY
- RATING: 20A @125VAC 3/4HP UL
16A @250VAC 1HP UL
16A @ 250VAC 1HP VDE
- ELECTRICAL LIFE: 10,000 CYCLES
- MECHANICAL LIFE: 30,000 CYCLES
- CONTACT RESISTANCE: <20 MILLI-OHMS INITIAL
- DIELECTRIC STRENGTH: >1,500V AC 1MIN
- INSULATION RESISTANCE: >1000MOHMS
- OPERATING TEMP: TERMINAL SIDE: -20°C to 85°C
ROCKER SIDE: -20°C to 55°C
- LAMP: LED 12VDC
- ▲ DENOTES CRITICAL PARAMETER.



REV	PCR NO	DESCRIPTION	DATE	BY
B	24187	update print, Incandescent to LED	3/6/2020	MW
A	22920	RELEASE	7/5/17	MW

TITLE R5BBLKGRNGF3				
SCALE 1:1	DATE 7/5/2017	DR MW	DWG M050265	REV B